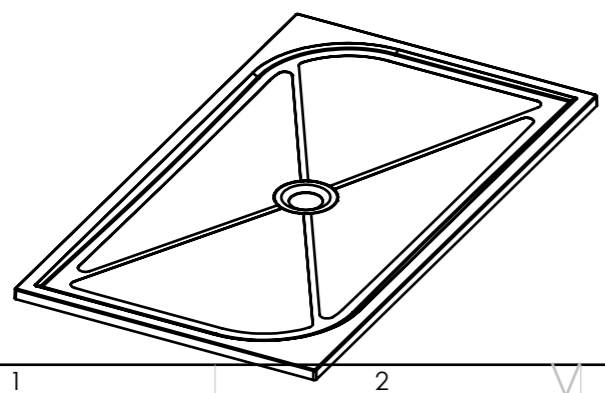
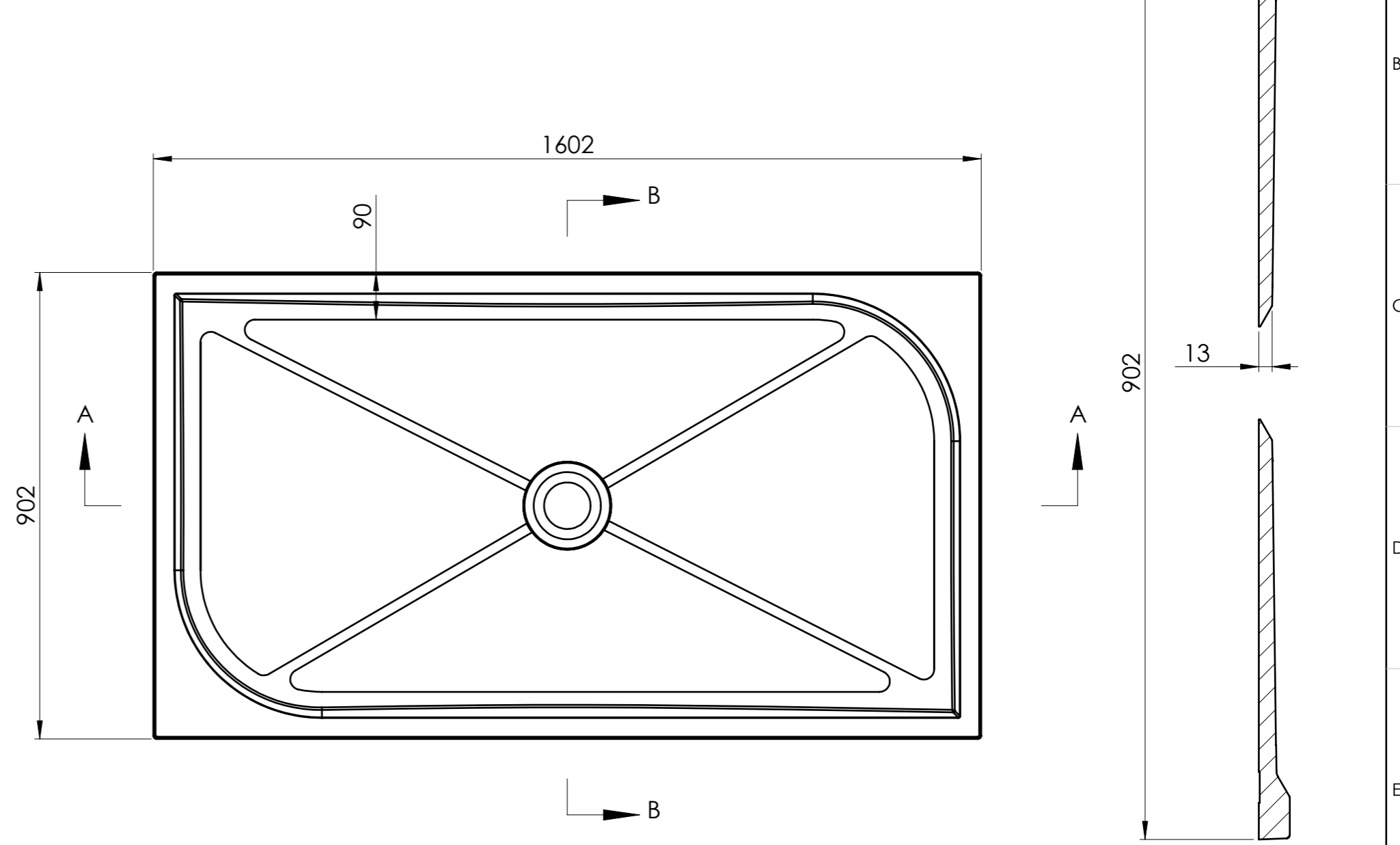


inserts steel M6 for panel (8X)



Tolerance length	+3/-0 mm	Konstruerad Av	Ritad Av	Skapad Datum	Godkänd Av	Tolerans Length (mm)	+3/-0	Skala	1:20	
Tolerance length granite	+1.5/-1.5 mm	Projekt ID	Kund	Titel / Benämning		1600 X 900 / 30		MM Art.nr		
Tolerance Taphole Location	+3/-3 mm	Agare		Dimensions		6011991630XX		Client ID		
Tolerance overflowhole Location	+3/-3 mm	Rev		Blad		1 (4)				
Tolerance plane bending	+1.5/-1.5 mm	PLANA								

This document must not be copied without our written permission, and the contents thereof must not be imparted to a third party nor be used for any unauthorized purpose. Contravention will be prosecuted.