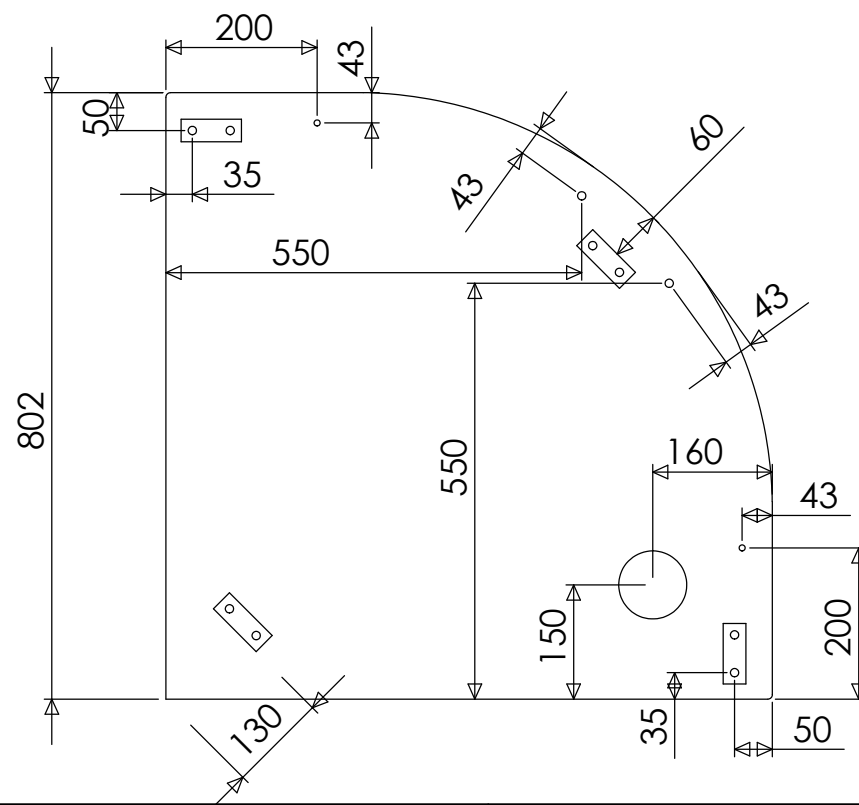
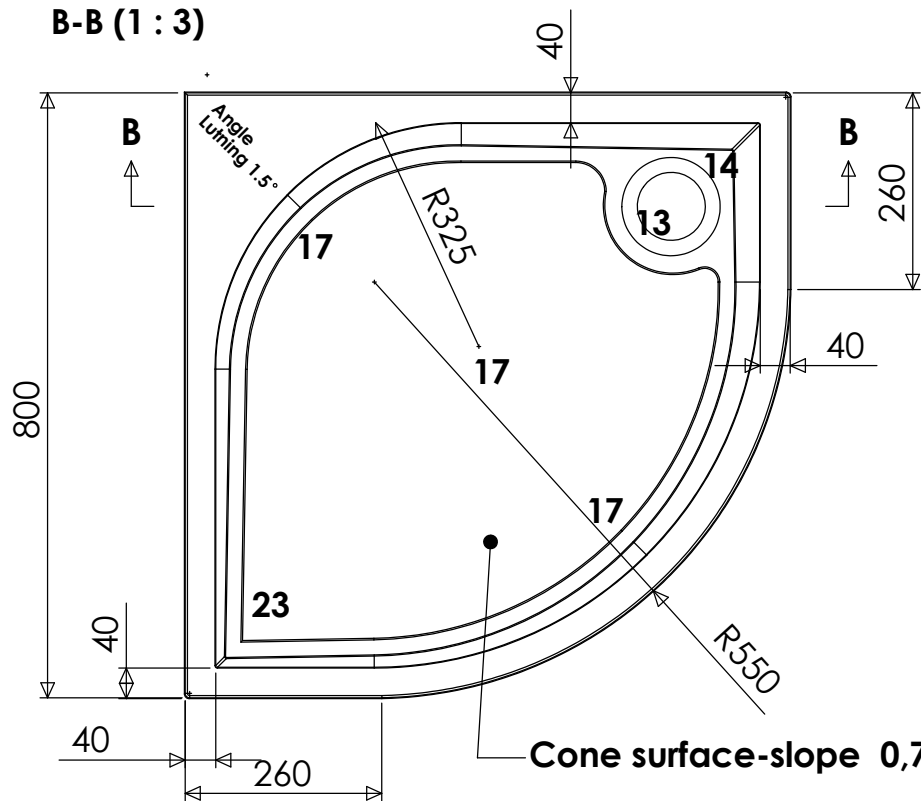



**B-B (1 : 3)**



Tolerance length	+3/-0 mm	DR	DR	Skala 1:10	051208	800RADIE	
Tolerance length granite	+1,5/-1,5 mm					<b>V80</b> <b>Nr. T1160043</b>	ErsoHer
Tolerance taphole location	+1/-1 mm						Ritring
Variation overflowhole location	+1/-1 mm						<b>1:8</b>
Tolerance plane bending	+1,5/-1,5 mm						